

mistral[®]

3-In-1 Bathroom Heater



Instruction Manual

Model: ML506

Important Safeguards

- This bathroom heater is not intended for use by persons (including children) with reduced physical, sensory or mental capabilities, or lack of experience and knowledge, unless they have been given supervision or instruction concerning use of the appliance by a person responsible for their safety.
- Children should be supervised to ensure that they do not play with the appliance. (i.e. wall switch)
- Ensure that the switch is in the off position when changing the heat lamp (globe) or light globe.
- Ensure that the wattage of the centre replacement light globe is the same as the globe supplied with the unit.
- E27 275W heat globes can be used in this unit.
- Ensure the grille is free of objects, dust build up, etc. Make sure that the airflow through the grille is not inhibited.
- Means for disconnection must be incorporated in the fixed wiring, in accordance with the wiring rules.
- Precautions must be taken to avoid the back-flow of gases into the room from the open flue of gas or other fuel burning appliances.
- When cutting the ceiling material, care must be taken to ensure you do not damage electrical wiring and other hidden utilities.
- This bathroom heater is to be installed so that switches or other controls can not be touched by a person in the bath or shower.
- The lamps are extremely hot when in use. Do not touch to the lamps with any part of your body when in use. Allow all lamps cool down sufficiently before touching or replacement.
- The appliance shall, under no circumstances, be covered with insulating material or similar material.

Cleaning

- Ensure the Mistral bathroom heater is switch off and cool down sufficiently before cleaning.
- Remove globes when they are at room temperature. Wipe with a damp cloth, never immerse.
- Unclip lamp surround and wash in warm soapy water. Always use a soft cloth, never abrasives.
- Clean away any excess fluff from the inside of the body, motor blade brackets.
- The exhaust fan requires regular cleaning to ensure optimum performance. With the power off, regularly wipe the fan clear of dust and dirt.
- Clean the exhaust ducting kit, ensuring there are no obstructions at the exit.

Warning

If the power cord is damaged, the power cord must be replaced by either the service agent or similarly qualified persons in order to avoid a hazard.

This product has not been designed for any uses other than those specified in this booklet.

Save These Instructions

Fitting Instructions

Thank you for purchasing Mistral bathroom heater. This product combines heat globes an exhaust fan and light, to provide gentle radiant heat, clean air and a bright light from one compact, stylish unit. This model allows for exhausting of steam and odours right out of your home. All functions are separately controlled from a supplied switch plate for convenient fingertip control.

You can be assured trouble free operation by getting your Mistral Bathroom heater carefully installed by a qualified electrician, according to the instructions. Please read all instructions before commencing installation.

Mistral Bathroom heater can be mounted in any room that requires instant, direct, and radiant heat to ward off winter chills. The light has separate switching, making it suitable for bathrooms, ensuites, toilets, dressing & change rooms.

Suitability

The Mistral Bathroom Heater has been designed especially for cavity type ceilings. Flat roof installation is NOT recommended.

This product must not be mounted in areas subject to direct splashing, and must be mounted in the horizontal position only. Unsuitable for 'cathedral' or 'raked' ceilings.

This model comes with 2 Infrared Heat Globes which emit harmless radiant heat. It is best positioned directly above the area requiring warmth. Before you start, make sure your ceiling has at least 280mm clearance from the roof (see to the 'Mounting' diagram).

Where to Locate

Radiant globe heaters are not designed to heat entire rooms. They provide instant, concentrated heat to persons standing directly below the heat lamps. Therefore, Mistral Bathroom heater should be located over the area where drying off takes place, not directly over a shower or bath.

This Heater is not designed to be left on for extended periods of time, as this could cause overheating and premature failure. Mistral Bathroom Heater, should not be covered or installed in situations which restrict the natural ventilation of the units for cooling purposes.

Ceiling insulation should be kept well clear of the units (at least 100mm). For optimum performance, models with exhaust fans should be installed in areas with good ventilation, to enable fresh air to flow into the room. Any restrictions on return air entering the room will impair effectiveness and may contribute to premature failure.

Radiant Heat

The Mistral Bathroom Heater requires no warm up period because of its efficient, radiant heat globes. Heat is directed at you for an instant warmth you can feel, rather than gradually warming the entire room. Because of this, Mistral Bathroom Heater only needs to be turned ON when you are in the room.

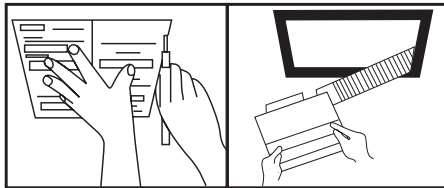
General Illumination

A 6 watt light is designed to provide general illumination only. Additional lighting may be required for duties.

Mounting

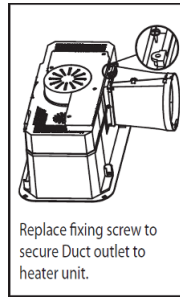
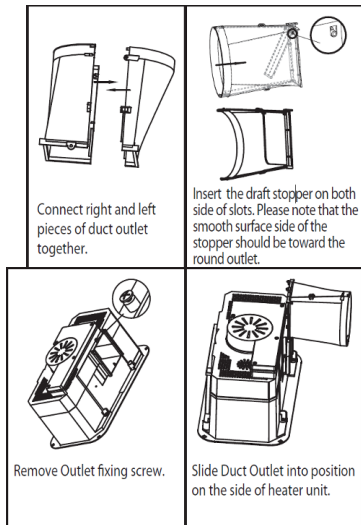
For the purpose of obtaining best heating effect, from the lamps there should be about 2.4m overall height from ground.

1. Mark the ceiling with a pencil outline 370mm x 202 mm. BE SURE TO CHECK ABOVE THE CEILING FOR MINIMUM SPACE OF 280mm (for optimum performance allow 500mm or more clearance) AND THE LOCATION OF CEILING JOISTS. Ensure there is a minimum of 100mm clear space between the Mistral Bathroom Heater unit and any ceiling insulation. Make sure distance between edges to the wall is not less than 40mm.

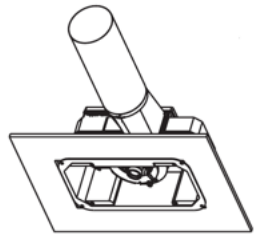


Note: Before commencing cutting ensure that the area behind the intended location is clear of all cables, pipes and joists.

2. Use a saw to cut the section along the drawn lines.
3. Carefully remove the heater and accessories from the plastic bag and carton. Please assemble the air outlet before mounting the unit into the hole. Air outlet assemble steps as below:



Replace fixing screw to secure Duct outlet to heater unit.



4. Connect the ducting if required to the outer grille of the unit. Insert the unit into the square hole being sure to pull the side clips inward so that the body can pass through the hole without damaging the plaster. Rotate the swing clips to hold motor body in place (figure 1) then tighten screw to let the clip clamp onto the ceiling board (figure 2).

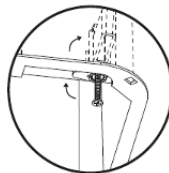


figure 1

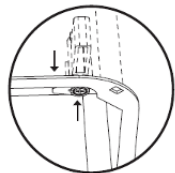
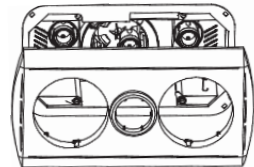
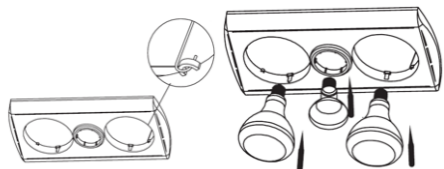


figure 2



5. Hold the fascia against the body of the heater and the ceiling and attach the securing spring clips to hold the fascia in place.
6. Now screw the two large heat lamps into the lamp holder through the holes provided in the fascia. The globes should be screwed up firmly to ensure a good electrical contact but don't over tighten. Next fit the small centre globe in the same way ensuring that it is positioned centrally.



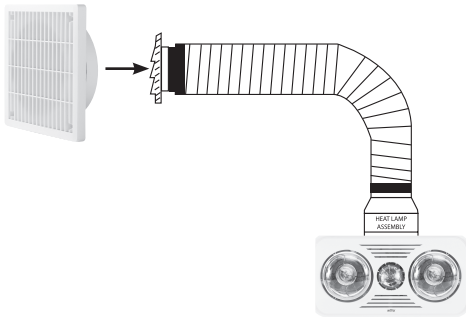
Installing The Duct

1. Outlet Louvre: A 130 mm diameter hole is required for the outlet louvre (see template below). Use 4 screws appropriate for the mounting surface to secure it in place.

NOTE: The vent louvres should be facing downwards, preventing water from running into the duct.



2. Duct Connection: Fully extend 3m duct to minimise airflow restrictions then cut to fit components. To cut duct use a sharp knife for the silver walls and wire cutters for the wire support coil. Plan the duct-run to be as straight as possible. The fewer obstacles that the duct has to weave around, the better! Do not squash or force duct through tight bends. In house end of the duct fix to the outlet of fan motor housing, and fix another end of duct to vent louvres with metal clip.



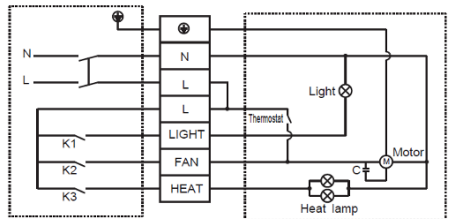
Electrician's Wiring Instructions

Your Mistral Bathroom Heater requires a 220-240 Volt, 50Hz electrical supply. All electrical work must be carried out by a qualified electrician and installed in accordance with relevant Electrical Wiring Regulations.

Your new Mistral Bathroom Heater comes with all required switches and mounting plates.

How

1. Decide the best position for the switch set and mount it. Be sure to click the switches into the backing plate in the desired order before hand.
2. Connect wiring to switches as shown in the appropriate electrical diagram.
3. Remove screws from terminal cover on the Mistral Bathroom Heater and put aside. Wire according to the label beside the terminal strip. Once the wires are connected incoming cable must not be fouled by cover. Use appropriate knockouts in terminal cover to accommodate cable before replacing. Screw down firmly.



Test

Clean surround and globes with a soft, dry cloth.
Check power is switched on and all switches activate properly, according to their marked function.

This product is equipped with thermostat for overheat protection, when temperature exceeds 80°C the exhaust fan will be turned on automatically. When cool down the fan will close accordingly.

Replacement of Lamp

1. Check and tighten lamp regularly.
2. Shut off power before replacement.
3. Use E27 6W LED for lighting.
4. Use E27 275W infrared lamp for heating.

Technical Specifications

Power Supply : AC 220-240V~ 50Hz

Power Consumption : 581W

2 x 275W Heat lamps

6W LED Light

NOTE: As a result of continual improvements, the design and specifications of the product within may differ slightly to the unit illustrated on the packaging.

Warranty Conditions for purchase in Australia & New Zealand

Any claim under this warranty must be made within 12 months of the date of purchase of the product. To make a claim under the warranty in Australia, take the product (with proof of purchase) to any Bunnings store (see www.bunnings.com.au in Australia or www.bunnings.co.nz in New Zealand for store locations).

GSM International Ltd bears reasonable, direct, expenses of claiming under the warranty in Australia. You may submit details and proof to a Bunnings store for consideration or contact our service agent below.

This warranty is provided in addition to other rights and remedies you may have under law: our goods come with guarantees which cannot be excluded under the Australian Consumer Law (if purchased in Australia) or the Consumer Guarantees Act 1993 (if purchased in New Zealand). You are entitled to replacement or refund for a major failure and to compensation for other reasonably foreseeable loss or damage. You are also entitled to have the goods repaired or replaced if the goods fail to be of acceptable quality and the failure does not amount to a major failure.

The warranty excludes damage resulting from product misuse or product neglect. The warranty covers domestic use only and does not apply to commercial applications.

This warranty is given by GSM International Ltd

ABN: 53007682475

For Warranty and technical queries: 1300 373 199 Aus Or 0800 200 037 NZ

Warranty Exclusions

Damage to the base or diffuser or any part through accident, misuse or negligence.

G | S | M

Gerard Sourcing & Manufacturing

GSM International Ltd.

Consumer Service Centre :

Aus: 1300 373 199

NZ: 0800 200 037

GSM International Ltd has a policy of continual improvement throughout the product range.
As such the unit contained within may differ slightly from the unit illustrated on the pack.

MADE IN CHINA for GSM International Ltd.
Mistral is a registered trademark of GSM International Ltd.



Cat. No. ML506
April 2020