

*mistral*<sup>®</sup>

KEEPING YOU COSY SINCE 1968

# 127cm Flame Effect Inbuilt or Wall-mountable Electric Fireplace



**Instruction Manual**

Model: MIF1350TCL-RE



# Important Safeguards

**When using electrical appliances, in order to reduce the risk of fire, electric shock, and/or injury to persons, basic safety precautions should always be followed, including:**

## For Your Safety

**When using this appliance, below safety precautions should always be followed.**

- To prevent fire or shock hazard, DO NOT expose this appliance to rain or moisture.
- Dangerous high voltages are present inside this enclosure. To avoid electric shock, DO NOT open the cabinet, refer servicing to qualified personnel only.
- To protect against fire, electrical shock and injury to persons, do not immerse the unit, plug or cord in water or spray with liquids.
- The apparatus shall not be exposed to dripping or splashing and no objects filled with liquids, such as vases, shall be placed near the product. Dry location use only.
- No naked flames sources, such as candles, should be placed on the product.
- Any ventilation holes should not be impeded by covering with items, such as newspaper, table paper, tablecloths, curtains etc. Slots and opening are provided for ventilation to ensure reliable operation of the product and to protect it from overheating. Never obstruct the air inlet and outlet. Do not use any object to cover this appliance.
- Only connect to a suitable AC 240V~50Hz mains wall outlet. Do not overload the wall outlet.
- This appliance is not intended to be operated by means of an external timer or separate remote-control system. Other use not recommended may cause fire, electric shock or injury.
- This appliance is not intended for use by persons (including children) with reduced physical, sensory or mental capabilities, or lack of experience and knowledge, unless they have been given supervision or instruction concerning use of the appliance by a person responsible for their safety.

- Keep out of reach of children. Children should be supervised to ensure that they do not play with the appliance.
- To disconnect, grip the plug and pull it from the wall outlet. Never pull by the cord. Do not use with wet hands or in damp environments.
- Do not attempt to repair, disassemble or modify the appliance. There are no user-serviceable parts inside. Repairs should only be performed by qualified personnel.
- If the supply cord is damaged, it must be replaced by the manufacturer, its service agent or similarly qualified persons in order to avoid a hazard.
- Do not use this appliance outdoors. This appliance is for household use only and not for commercial or industrial use.
- Do not use if there are visible signs of damage to the heater
- Operate this heater only when wall mount or insert installation is completed.
- Do not use this heater with a programmer, timer, separate remote-control system or any other device that switches the heater on automatically, since a fire risk exists if the heater is covered or positioned incorrectly.
- Do not use this heater if it has been dropped.

**WARNING: Do not use this heater in small rooms when they are occupied by persons not capable of leaving the room on their own, unless constant supervision is provided.**

**Warning: In order to avoid overheating, DO NOT COVER the appliance.**

**WARNING: To reduce the risk of fire, keep textiles, curtains, or any other flammable material a minimum distance of 1 m from the air outlet.**

**WARNING: FIRE RISK EXISTS IF THE HEATER IS COVERED BY OR POSITIONED CLOSE TO CURTAINS OR OTHER COMBUSTIBLE MATERIALS.**

## Always

1. Always position/install the heater in accordance with the instructions.
2. Always make sure the electrical socket is accessible and located adjacent to, but not above the heater.
3. Always use a fire guard when children, animals and infirm persons can come into contact with the heater. Pay attention! The air outlet gets hot during operation.
4. Always turn the appliance OFF and unplug it from the mains wall outlet when it is not in use, when moving the appliance from one location to another and before cleaning.

## Never

1. Never leave the appliance unattended when it is in use. Never leave children unsupervised in a room where the heater is ON and unguarded.
2. Never obstruct or cover the air outlet or force items into the heater openings, this could cause overheating and consequent risk of fire. Never insert or allow foreign objects to enter the air outlet as this may cause damage to the appliance.
3. Never position or use the heater in the immediate vicinity of water, such as bathtub, shower, washbowls, swimming pool etc.
4. Never use aerosols or steam cleaners on or around the heater.
5. Never use the heater in rooms with explosive gas or while using flammable solvents, varnish or glue.
6. Never route the power supply cord under carpet etc.
7. Never use the heater to dry clothes, etc.
8. Never operate the appliance with a damaged cord or plug, after a malfunction or if it is not working normally, dropped or damaged in any way.
9. Never let the power cord hang over the edge of a table or counter or let it touch any hot surfaces.
10. Never move the appliance by pulling the cord.

11. Never immerse the product in water or any other liquid for any reasons.

12. Never use accessories that are not recommended or supplied by the manufacturer.

## Positioning Instructions

When wall mounting or inserting the heater, please keep the following points in mind:

- This heater must not be located immediately below an electrical outlet.
- The heater **MUST** only directly be plugged in to a fixed Domestic Power outlet, **DO NOT** use in conjunction with Extension cords, Power Boards or Double Adaptors, as these can overheat when overloaded.
- install and use the appliance in rooms no smaller than 4m<sup>2</sup>.
- Keep the air inlet and outlet free from objects at least 100cm in front of the heater. Do not hang anything on or in front of the heater.
- Never position the heater close to curtains or combustible materials such as furniture, cushions, bedding, paper, clothes, curtains etc. Keep the the appliance at least 100cm (1m) away from any combustible materials.
- Never position or use the heater in the immediate vicinity of water, such as bathtub, washbowls, swimming pool etc. where the likelihood of immersion or splashing could occur.
- Keep hearthrugs and other soft furnishings away from the front of the heater. They could obstruct the free flow of hot air and damage both soft furnishings and heater.

## Cautions:

Do not operate the appliance on an inclined surface. Do not move the appliance while the appliance is switched on.

In order to avoid a hazard due to inadvertent resetting of the thermal cutout, this appliance must not be supplied through an external switching device, such as a timer, or connected to a circuit that is regularly switched on and off by the utility.

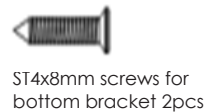
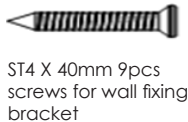
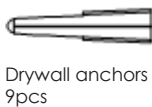
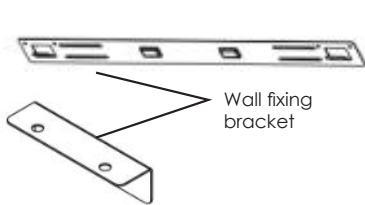
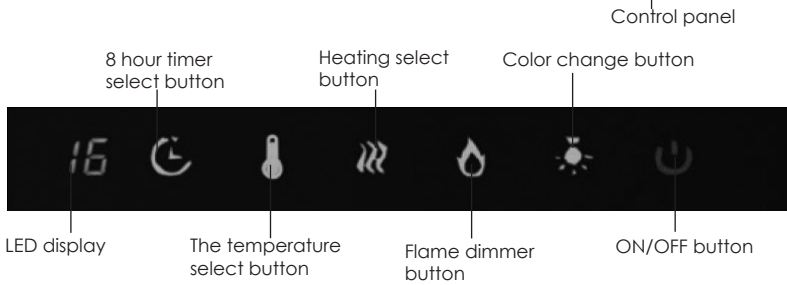
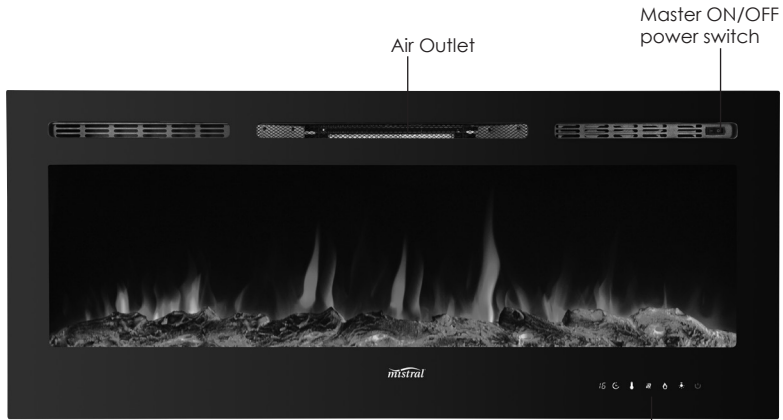
This heater is hot when in use or directly after use. To avoid burns, do not let bare skin touch hot surfaces. Keep combustible materials such as furniture, pillows, bedding, papers, clothes and curtains well away from the heater. Do not drape laundry or any other items over the heater.

At the end of the product's serviceable life it should be disposed of carefully and safely in accordance with local authority regulations.

## Handling & Transit

- Unpack the heater from the carton it is supplied in.
- Prepare the heater for installation onto the wall or insertion.  
Remove the tempered glass panel from the front of the heater, by undoing 2 panel retention screws from each side of the heater and with the help of another person, slide glass panel upwards and pulling forward to unlock.  
Set glass panel aside in a safe place until installation process is completed.
- Only when installation process is completed. Reposition the tempered glass panel and secure back into place with one screw on each side of the heater.
- Do not carry or lift the heater by positioning hands underneath the glass panel, this will unlock the glass panel from heater enclosure. Only place hands underneath the heater enclosure when lifting.
- The heater is heavy, requires assistance of another person to position and secure the heater into place.

# Features of Your 127cm Flame Effect Inbuilt or Wall-mountable Electric Fireplace



# Your Electric Flame Effect Heater

Congratulations on the purchase of your new Heater. Before using your new heater, it is important that you read and follow the instructions in this Use and Care booklet, even if you feel that you are quite familiar with this appliance. Find a place to keep this booklet handy for future reference. Attention is drawn to section dealing with 'IMPORTANT SAFEGUARDS.'

This appliance has been designed to operate from a standard domestic power outlet. It is not intended for industrial or commercial use.

## Wall-mount Instructions

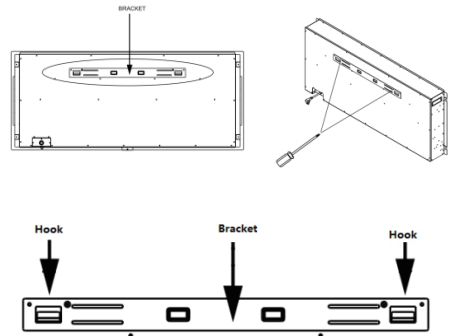
This Electric Flame Effect Heater also comes with a wall mounting kit if the preferred option is to wall mount the heater.

The following installation instructions must be adhered to in order to ensure that it is installed and secured safely:

1. Only mount heater horizontally, For installation of the heater, care must be taken not to damage concealed cables.
2. Minimum of 300mm in height from the floor and minimum 1000mm from the ceiling.
3. Domestic power outlet positioned adjacent , to the right hand-side of the heater (In situ) and within heater power cord length (Do not use extension leads to reach power outlet).
4. Wall mount bracket(s) must be secured in to solid substrate ( Brick , concrete etc.) or aligned with timber or metal wall studs, DO NOT secure onto just plaster or similar materials that cannot support the weight of the heater. Mounting brackets, screws and wall plugs are included.
5. Ensure that heater is mounted away from any surrounding combustible materials.
6. Ensure to fully read the installation instructions to familiarize yourself with the installation requirements.  
Do not start the heater until it is securely fixed to the wall and minimum distances stated are strictly adhered to.
7. Take care when using tools to drill holes to ensure mounting bracket can be securely fitted and support the weight of the heater( Oversize holes and loose wall plugs may result in appliance becoming detached and cause damage to the appliance or injury).

## Wall-mount steps:

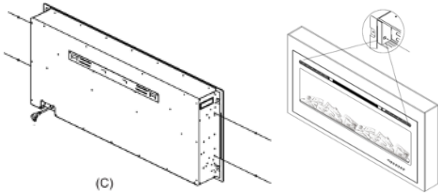
1. Although a minimum distance of 300mm from the floor is to be adhered to, for optimum viewing of the fuel bed, 600mm height is recommended. Select a location that is not prone to moisture and is located at least 1m away from combustible materials such as curtain drapes, furniture, bedding, paper, etc. Have two people hold the appliance against the wall to determine the final location.
2. Place unit face down on a soft, non abrasive surface. Remove the bracket from the back of the unit by removing the screws,
3. Mark the top four screws holes (Applicable to solid substrate of Brick concrete etc.) and ensure it is level. Use 8.0mm Masonry drill bit, drill 40 mm deep holes, insert wall plugs and secure bracket with the 4 x 40mm screws provided. For plaster walls with Timber or Steel wall studs ensure to secure bracket to at least 2 wall studs (Additional pilot hole may need to be drilled into bracket to obtain alignment with a minimum of 2 studs). In this instance there is no need to drill holes to insert wall plugs, but can secure bracket with screws directly into studs.



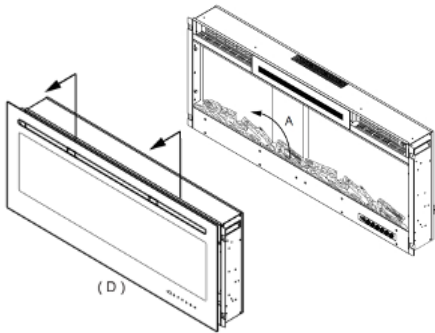
**NOTE: Ensure that the screws that hold the mounting bracket are securely screwed into timber or metal wall studs, secured with plugs just into plaster will not be safe to support the weight of the mounted heater.**

**Note: Ensure the bracket is level by using a spirit level whilst marking out the hole positions.**

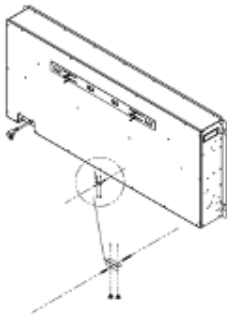
4. First Take off four screws in both sides and remove two screws at both front corner of fireplace. Figure (C)



Remove the flat glass panel from the front of the enclosure. To remove, have firm grip on the glass panel with both hands, slide upworders to unlock and then pull forward to remove. Figure (D)



Take the foam(A) out off appliance.Place the heater upside down on a soft cloth or carpet. Secure the bottom bracket onto the base of the heater enclosure with the 2pcs of 4x8mm screws provided.



With the help of another person (to avoid injury, damage to property or appliance), lift the heater into place and engage the heater with the top wall bracket (See Fig. A) and is positioned centrally. Now mark the position of the 2holes that secures the bottom bracket. Lift heater away from the wall and drill the holes (Solid walls, brick/ concrete). For plaster wall, use plaster wall anchors (Not Supplied).

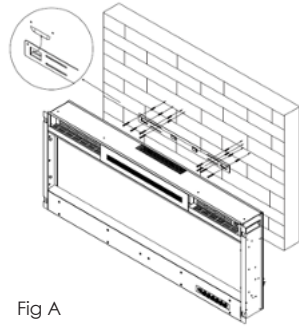


Fig A

5. Fix the heater to the wall bracket Again with the help of another person (to avoid injury,damage to property or appliance), lift the heater into place and engage the heater with the top wall bracket(Fig A), ensure it is positioned centrally then gently angle heater down against the wall and secure bottom bracket with 2 screws (30mm) against the wall.
6. The flat glass panel can now be placed back into position. Align metal hooks on the glass panel with the corresponding slots of the heater enclosure, push into slots and slide down to secure in place. Refit the 2 screws on each side and 2 screws at the front of the heater to secure glass panel into place.

**Note: Positioning the glass panel in place should ideally be done with assistance (Person on each side holding glass) to safely align and secure in place.**

## Recess the heater into a wall

### Instructions & steps

**Note:** This heater can be inserted into a wall, to do so you require a minimum of 150 mm depth.

This may require a custom build structure, as standard internal plaster/stud wall cannot facilitate the insertion depth required.

So consult with qualified trades person if you are not technically inclined to conduct such construction work yourself.

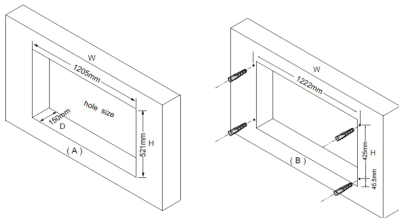
Illustrated below are the cavity sizes required and instructions to fit the heater. Ensure that there is sufficient structural support surrounding the heater to safely and securely insert mount the heater. Electrical works maybe required to make heater connection directly to a Domestic Power outlet, if that is needed consult a licensed electrician to conduct such work. Figure (A)

1. Select and mark the section of plaster wall that needs to be removed or construct a frame work aligned with plasterboard as per hole dimensions detailed in illustration below Figure (A).

**Note: If cutting holes in existing plaster wall (Please check and confirm that area directly above the proposed placement is not Load bearing as some support studs may need to be trimmed to fit the heater).**

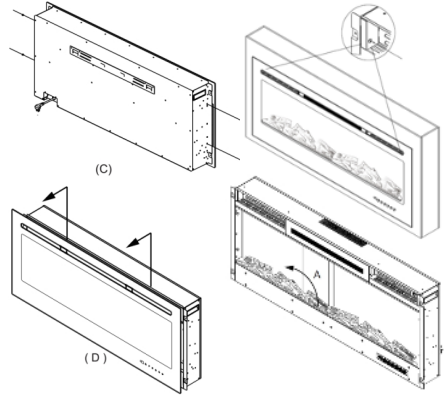
Fit supporting timber around the parameter of the opening where needed to act as supported structure to mount the heater to.

2. Drill 2 Pilot holes (Smaller than screw diameter) on each side of the opening as per dimensions detailed in Illustration below Figure (B)



3. Prepare the heater for installation by removing the glass panel, undo the panel retention screws, 2 screws on each side of the heater and 2 screws at the front as shown in Figure (C)

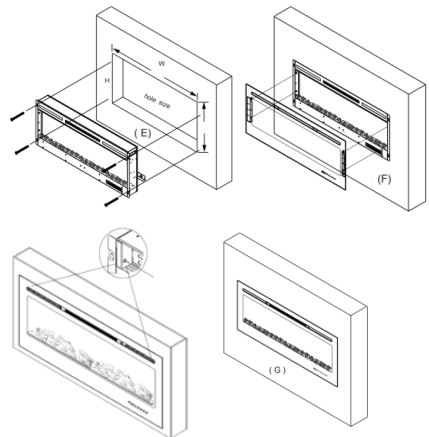
4. Have two person to take the glass panel out of the fireplace box. Take the foam (A) out of appliance. Place it to a soft and clean place. Figure (D)



5. Have two person to move the fireplace box to the wall hole.

When the appliance is fully recessed into the wall:

- Use the 4 screws (provided) to secure the heater to wall, through the holes in the side rims of the heater. see Figure (E)
6. Reposition the Glass panel and lock into place. See Figure (F)
  7. Secure the glass panel into place with a screw on either side of the heater. Figure (G)





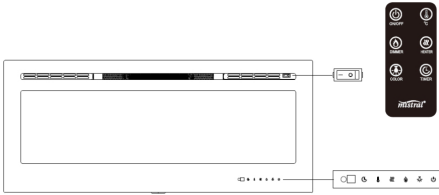
# Operation


When operated for the first time, the unit may emit an unpleasant burning type smell. This is normal, and will disappear after a short period of use. Always choose a safe location for the heater, keeping in mind the safety precautions outlined.

Ensure that all packaging has been removed from the unit before use.

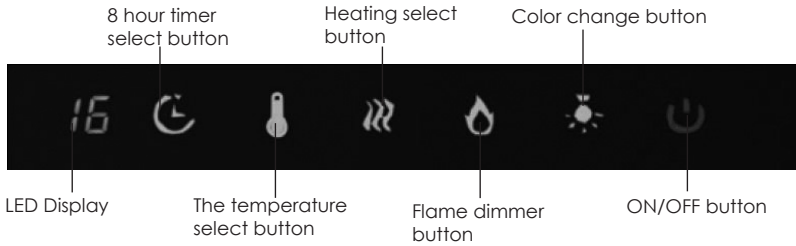
The appliance can be operated either by the switches located on the bottom control panel of the fireplace heater or by supplied remote control.

- Plug the power cord into a suitable 230 - 240V~50Hz wall outlet.
- Set master ON/OFF switch to position "I".









- Press on the Power On/Off switch , or press on the remote control, the fire illumination effect will be activated.

# Control Panel

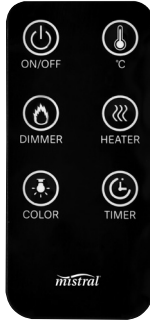


- Select the desired function:  
Touch panel/Remote control Operation

BUTTON	FUNCTION	ACTION&INDICATION
 POWER	ON: Enables control panel functions and remote control. Turns on flame effect. OFF: Disables control panel functions and remote control.	1. Press once. Indicator light turns on. Power turns on. All functions enabled. 2. Press again Turn off flame effect.
 COLOR	COLOR button: Controls the color change of the flame effect.	1. Press once. Flame color effect starts changing. 2. Press again until desired setting is reached.
 FLAME	FLAME button: Controls the dimming or brightening of the flame effect illumination. NOTE: Flame effect stays on until power button is turned off. Flame effect must be on for heater to turn on.	1. Press once. Flame brightness effect starts changing. 2. Press again. Until desired setting is reached.
 HEATER	HEATER button:Turn heater on and off. NOTE: To prevent overheating, the heater fan will blow out cool air for 20 seconds after the heater turn off.	1. Press once. Indicator lights up. 900W heater turns on and blows warm air. 2. Press again. Indicator lights up. 1800W heaters turns on and blows hot air. 3. Press again. Heaters turn off. The fan blows cool air for 20 seconds to allow heater to cool down, then turns off.
 TEMP	TEMPERATURE button: Control temperature settings to choose temperature as desired. Setting range from 16C to 30C	1. Press once. Indicator light turns on. Temperature is set to 16C 2. Press again until desired setting is reached. LED display shows setting.
 TIMER	TIMER button: Control timer settings to turn off fireplace at selected time. Settings range from 1 hours to 8 hours.	3. Press once. Indicator light turn on. Temperature is set to hours. Press again until desired setting is reached. LED display shows setting.

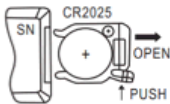
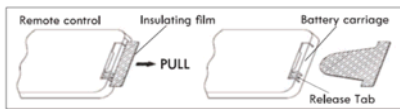
Warning: The heating element box and fan air intake / outlet is positioned on top the heater. This area gets hot during operation and should not be operated under , near or on top of flammable materials such as curtains drapes. Do not insert or allow foreign objects to enter any grille opening as this may cause an electric shock , fire or damage the heater, contact with the elements inside the heater could result in electric shock.

# Infrared Remote control



## Battery Replacing (For Remote Control)

1. The remote control requires one "CR2025" type 3-volt lithium battery (included). If the operation of the remote control becomes unsatisfactory, replace with a new 3-volt lithium battery.
2. Place the remote control with the control buttons facing downward.
3. Loosen the cover screw, Press the locking arm of the battery cover and pull out the tray. (Push tab "A" towards the middle first. See the Fig.1).



4. Place one new 3V CR2025 battery into the battery tray with the positive "+" side facing up, observing the polarity markings. If the battery is placed incorrectly, the remote control will not work. CAUTION: There is danger of malfunction if the battery is replaced incorrectly. Replace only with the same or equivalent type of battery.
5. Insert the battery holder into the battery compartment and ensure it is secured. tighten the cover screw.



**WARNING:** This product contains a coin/button cell battery inside. Keep batteries out of reach of children. Swallowing may lead to serious injury or death in as little as 2 hours due to internal burns.

**DANGER** if swallowed

If swallowed, immediately call the 24-hour Poison Information Centre on 13 11 26 (in Australia) or 24-hour National Poisons Centre on 0800 764 766 (in New Zealand) for fast, expert advice. Dispose of used batteries in an environmentally friendly manner in accordance with local council regulations immediately.

This product has been designed so that the coin/button cell battery is not accessible to young children, as the battery compartment cover is secured with a screw or mechanical fastener. Always ensure that the compartment is secured before use.

6. Tell others about the risk associated with button batteries and how to keep their children safe.

## Thermal Safety Cut-out

This appliance is fitted with a safety cut out, which will operate if the heater overheats (eg, due to blocked air outlet). For safety reasons, the heater will NOT automatically reset. To reset the heater, disconnect the heater from the power outlet. Let the heater cool down before reconnecting the heater to the power outlet and switching it back on.

**WARNING:** In order to avoid a hazard due to inadvertently resetting the thermal cut-out, this appliance must not be supplied through an external switching device, such as a timer, or connected to a circuit that is regularly switched on and off by the utility.

## Technical Specifications

Power Supply: AC 220-240V ~ 50Hz  
 Power Consumption: 1800W

**NOTE:** As a result of continual improvements, the design and specifications of the product within may differ slightly to the unit illustrated on the packaging.

## Care and Cleaning

- Before cleaning, ensure that the heater is switched in the off position and is unplugged from the socket.
- Clean the exterior surfaces of the heater with a dry, soft cloth.
- Never use any form of detergents or solvents to clean the heater.
- Never spray with liquids or submerge in liquids or water.
- DO NOT attempt to clean the interior of the heater.
- DO NOT ATTEMPT TO OPEN THE CASE OF THIS HEATER at any time. There are no consumer serviceable parts inside this unit.
- When the heater is stored during the off season, neatly wind the cord around the base of the heater to prevent any damage to the cord.

## Disposal

Do not dispose of packaging or the product through your household waste!

The product and packaging are made from recyclable materials (plastics, metals, paper). If the product is no longer suitable for use dispose of it in an environmentally friendly manner in accordance with your local council.

## Warranty Conditions for purchase in Australia & New Zealand

Any claim under this warranty must be made within 2 years of the date of purchase of the product. To make a claim under the warranty in Australia, take the product (with proof of purchase) to any Bunnings store (see [www.bunnings.com.au](http://www.bunnings.com.au) in Australia or [www.bunnings.co.nz](http://www.bunnings.co.nz) in New Zealand for store locations).

GSM Retail Group bears reasonable, direct, expenses of claiming under the warranty in Australia. You may submit details and proof to a Bunnings store for consideration or contact our service agent below.

This warranty is provided in addition to other rights and remedies you may have under law: our goods come with guarantees which cannot be excluded under the Australian Consumer Law (if purchased in Australia) or the Consumer Guarantees Act 1993 (if purchased in New Zealand). You are entitled to replacement or refund for a major failure and to compensation for other reasonably foreseeable loss or damage. You are also entitled to have the goods repaired or replaced if the goods fail to be of acceptable quality and the failure does not amount to a major failure.

The warranty excludes damage resulting from product misuse or product neglect. The warranty covers domestic use only and does not apply to commercial applications.

This warranty is given by GSM Retail Group  
ABN: 53007682475  
For Warranty and technical queries: 1300 373 199  
Aus Or 0800 200 037 NZ

## Warranty Exclusions

Damage to the base or diffuser or any part through accident, misuse or negligence.

# GSM

Gerard Sourcing & Manufacturing

## GSM Retail Group

Consumer Service Centre :

Aus: 1300 373 199

NZ: 0800 200 037

GSM Retail Group has a policy of continual improvement throughout the product range. As such the unit contained within may differ slightly from the unit illustrated on the pack.

MADE IN CHINA for GSM Retail Group  
Mistral is a registered trademark of GSM Retail Group



Cat. No. MIF1350TCL-RE  
December 2020