



Robovac



Instruction Manual

Model: MRVAC500

Important Safeguards

When using this electrical appliance, the following basic safety precautions should always be followed:

For Your Safety

- To protect against the risk of electric shock, DO NOT IMMERSE the main unit, adapter or cord in water or any other liquid.
- Please read these instructions before operating and retain these for future reference.
- Before connecting the appliance to the power supply, check that the voltage indicated on the appliance corresponds with the voltage in your home. If this is not the case, contact your local qualified technician and DO NOT use the appliance.
- If the supply cord or any part is damaged, cease use of this appliance immediately to avoid a hazard.
- Do not hang the power cord over the edge of table and do not let cord contact hot surfaces, including stovetop.
- This appliance is not intended for use by persons (including children) with reduced physical, sensory or mental capabilities, or lack of experience and knowledge, unless they have been given supervision or instruction concerning use of the appliance by a person responsible for their safety.
- Children should be supervised to ensure that they do not play with appliance.
- Only use the product indoors, do not use it outdoors.
- Before starting the product, make sure the dust bin filter is properly installed.
- Do not use this product in wet or moist environment (any environment with liquid), e.g bathroom or laundry.
- Before use, remove all unwanted obstructions that may impede safe operation of the appliance (remove all the fragile objects and cords, clothing, papers, loose cables, as well as making sure to lift curtains and drapes off the floor to avoid any possible accidents. In case that a loose cable is tangled with the product, the cable might move around with the product as it works and topple down the table, chairs, or cabinet and might cause hurt or property damage.)

- Do not sit on top of this product or attach an object on the top of it. Beware of children or pets while the product is in operation.
- Do not allow this product to come in touch with cigarettes, lighters, matches or any other flammable materials/items.
- Never use the product to clean up combustible or highly volatile liquids such as gasoline.
- Whilst the product is in operation, make sure all doors leading outside are closed.
- In case the product has malfunctioned or is damaged, please contact the consumer service helpline before attempting to repair.
- Before charging, check whether adapter and outlet are properly connected.
- Use this product in temperature from 0°C to 40°C and do not place this product in high-temperature environment or under baking sunlight for a long time.

Warning

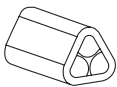
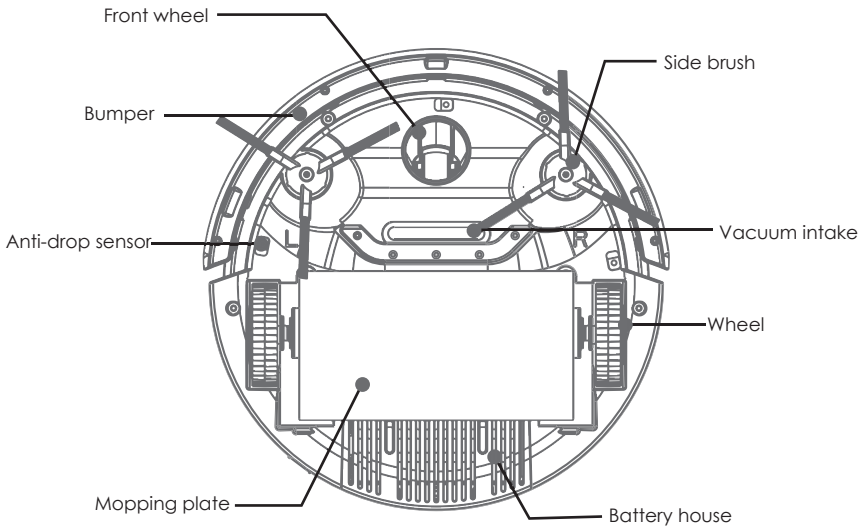
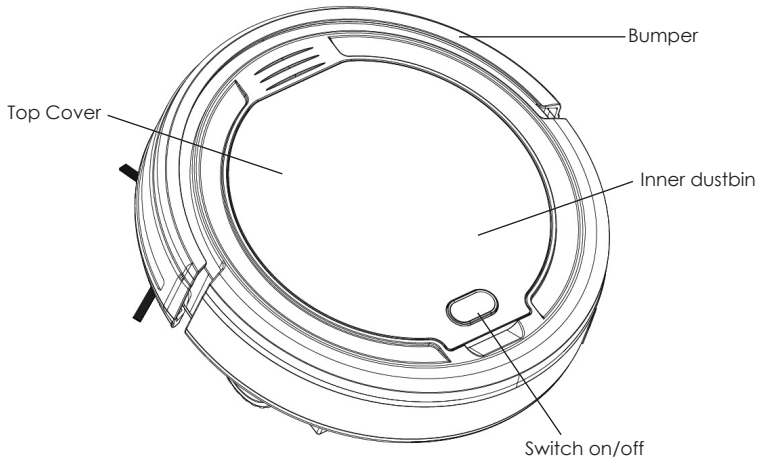
If the supply cord is damaged, the cord must be replaced by the manufacturer, its service agent or similarly qualified persons in order to avoid a hazard.

This product has not been designed for any uses other than those specified in this booklet.

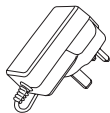
Save These Instructions

THIS APPLIANCE IS DESIGNED FOR HOUSEHOLD USE ONLY

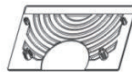
Features of Your Robovac



Rechargeable battery x1



Adapter x1



Mop plate x 1



Mop cloth x 2



Side brush x 2



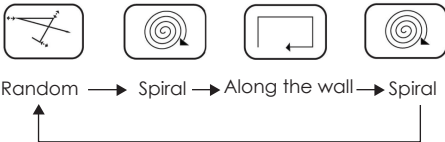
Filter x 2

Battery and Recharging Instructions

1. The battery is rechargeable, please use the voltage specified on the packaging. If you are not sure of the voltage current of your house, please check with your electricity provider.
(Only use battery pack which is provided by the manufacturer, please check the polarity before installing the battery.
Battery pack: 11.1V 1500mA
2. Only use the original battery and power adapter with the product for charging.
3. Charging adaptor is for indoors use only.
4. Do not recharge the product if the battery cord or plug is damaged.
5. Never touch the charger, plug or cable with damp hands.
6. Before cleaning the product, unplug the adaptor, switch Off the unit and remove the battery.
7. Please remove the battery when it is not in use for a long time.
8. The battery must be removed from the product before it is scrapped.
9. The product must be disconnected from the power source when removing the battery. The battery is to be disposed of in accordance with your local council regulations.

PRODUCT FEATURES

This revolutionary Mini Robotic Vacuum Cleaner is equipped with functions suitable for cleaning up floor surfaces of home and office, such as wood, tile, and linoleum.

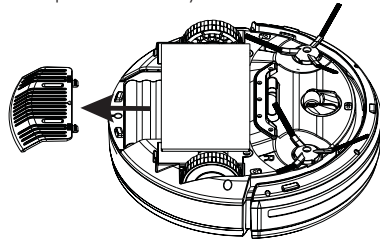


Indicator light:

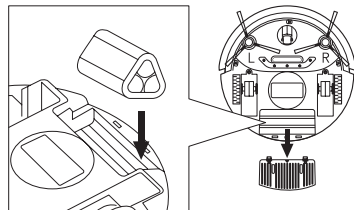
No.	Indicator light	Status
1	OFF	1. Not Powered On or in operation 2. Battery low condition
2	Red	1. Battery low condition 2. The unit is lifted with power On. 3. Side brush or wheel are overloaded due to obstructions.
3	Blue	1. Battery is full charged.
4	Flashing blue	1. Battery is charging.
5	Flashing red or purple when the battery is charging	1. The unit is not powered Off when charging.

BATTERY INSTALLATION AND REMOVAL

1. Before installing or removing the battery, the product must be disconnected from the power source.
2. Open the battery cover.



3. Insert the battery into the battery compartment and close the cover. Make sure the cover clips and secures into position.

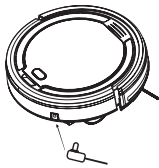


RECHARGING BATTERY

1. Before charging, make sure the battery is correctly installed.
2. The procedure of charging the product is as follows: Connect the adapter output plug into the DC jack of the vacuum, then plug adapter into domestic power supply outlet. The blue indicator light will flash, indicating it is charging.

NOTE: If the vacuum itself is powered On, the indicator light will flash alternately Red and Purple when charging the unit. Switch the power to the vacuum Off and the indicator light will flash Blue.

3. After fully charged, the indicator light will turn to solid blue light.
4. When the product runs out of power, LED indicator will turn red, which prompts the user to charge the product.
5. To ensure the best performance and life span of the battery, please charge the product for at least 3 hours continuously. After fully charged for 3 hrs, indicator light will turn to solid blue light. The product can be operated after 3 hours charging.



Adapter Plug to DC jack

GENERAL OPERATION

Starting Operation

1. Place the product in a room with all unwanted obstacles removed, turn On the power of the vacuum. The vacuum does now start vacuuming.

NOTE: The power indicator light turns OFF during operation.

2. When the vacuum runs out of power, the Red indicator light will illuminate and unit will stop operating.

Note: The red indicator light will turn off automatically when leaving it for approx. 5 minutes.

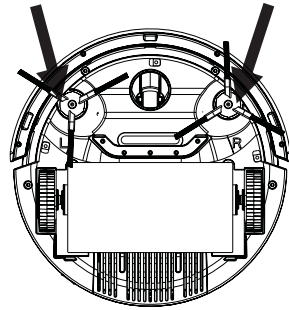
Note: the indicator light will turn off automatically even if the power Off button has not been pressed.

Note: This product is not suitable for long-pile carpets.

SIDE BRUSH INSTALLATION

Position both the left and right hand marked brushes on the corresponding L & R marked locations on the vacuum and push down to X to secure it.

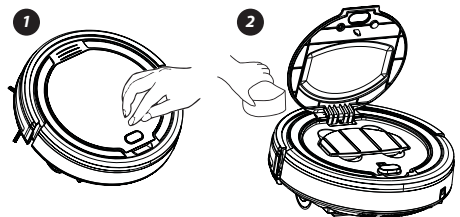
To remove brushes simply pull them upwards.



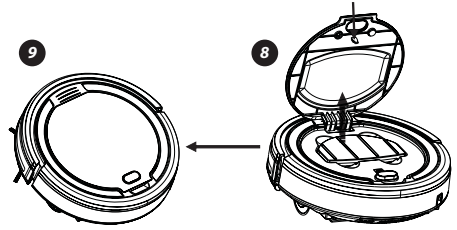
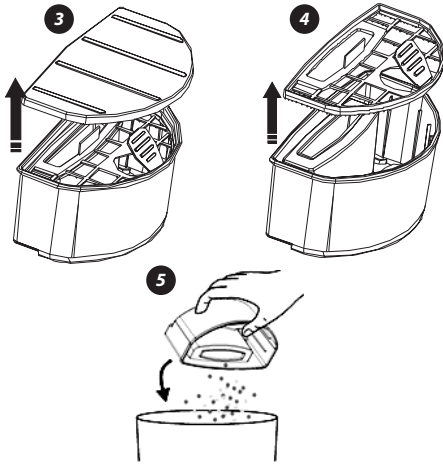
CLEANING AND MAINTENANCE

Cleaning Dust Bin

1. Open the upper cover by lifting the lid near the power ON/OFF button.
2. Put your finger into the dust bin groove and grip to take it out.



3. Open the dust bin lid.
4. Take out the inner filter.
5. Empty the dirt in the dust bin.



Cleaning Intake

After repeated use for some time, dirt and dust may accumulate around the air intake of the product, to ensure its best cleaning efficiency and constant airflow it should be cleaned periodically.

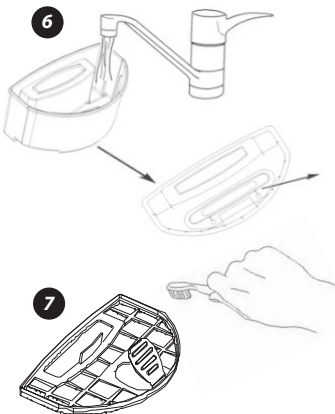
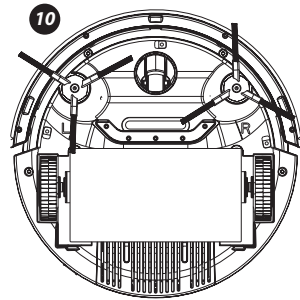
1. Remove the external power source.
2. Clean up the dirt and dust at the air intake.

CLEAN AND MAINTENANCE

Cleaning Dust Bin

1. Rinse the dust bin with tap water. Do not wash it in washing machine, dishwashing machine.
2. Periodically clean the filter with a soft bristle brush.
3. Reinstall the filter and dustbin when they have completely dried into the vacuum unit and secure with the cover.

NOTE: Before putting back the dust bin, please make sure the PE pad (function as nonreturn valve) in the dust bin is well attached. Recheck the filter also before operating the product. Using product without filter might cause malfunction.



Troubleshooting

	Problem	Possible Cause	Solution
1	Red LED stays On and the unit does not work after pressing the power button	1. Battery Low condition 2. Vacuum not making contact with the floor 3. the side brush or wheel is obstructed	1. Recharge the battery 2. Reposition the vacuum on the floor 3. move the unit to another flat area with no obstructions.
2	Vacuum on but can not collect dirt and hair	1. The dust bin is full 2. The filter is not installed correctly	1. Clean the dust bin 2. Re-install the filter correctly
3	The product is moving backwards after being started	1. The product is on dark colored floor 2. Anti-drop sensor light obstructed	1. Put the vacuum on light color floor. 2. Clean anti-drop sensor light.
4	LED indicators flashing in blue after 3hrs charging	Power supply might been cut off during charging	Continue charging until light no longer flashes.
5	The side brushes misshaped and not function satisfactory	Being used for a long time	Rinse the brushes under hot water, the plastic has a memory and will restore to original shape.
6	The product won't start	1. Battery is not installed properly 2. Battery low 3. The vacuum has been overloaded and engaged the overload protection.	1. To install the battery correctly 2. To have the battery fully charged (turn off the cleaner first) 3. Allow to cool down and reset and then restart.
7	The product circles around only, cannot go straight	One of the wires of the wheels may have loosened	1. Open the wheel cover and connect the loose wire properly 2. Have a service technician conduct this.

*If all solutions given above don't work for you, please take actions below:

1. Re-set the vacuum by switching on the power button;
2. If re-set action doesn't work, the unit maybe faulty, return to place of purchase for refund if within the warranty period.

Note: Particular specification are subjected to change without prior notice.

Specifications

Construction Material:ABS, POM
Dust Bin Capacity:0.2L
Average Charge Time:2.5-3 Hours
Vacuum Operation Run-Time:90 Minutes
Battery Type:11.1V Li-ion, 1500mAh - 16.65Wh
Adapter input :.....100-240V a.c. 0.4A Max.
Adapter output:.....13V d.c. 800mA

NOTE: As a result of continual improvements, the design and specifications of the product within may differ slightly from the unit illustrated on the packaging.

G | S | M

Gerard Sourcing & Manufacturing

GSM International Ltd.

GSM International Ltd has a policy of continual improvement throughout the product range.
As such the unit contained within may differ slightly from the unit illustrated on the pack.

MADE IN CHINA for GSM International Ltd.
Mistral is a registered trademark of GSM International Ltd.

Cat. No. MRVAC500
October 2020